

IR Quattro 8m

COM2 - Concealed wiring
 EAN 4007841 000356
 Article number 000356



infrared sensor



max. 4 x 4 m presence

2000 W

max. 2000 W



IP20



ideal 2.5 - 8 m



indoor sensor

iQ

iQ-mode

Teach

Teach mode



energy saving

5 years

manufacturer's warranty steinel-professional.de/garantie

Function description

Squaring the circle. Infrared presence detector Presence Control PRO IR Quattro COM2 for indoors, ideal for small offices, store, service and utility rooms, washrooms and WCs, installation height up to 8 m, for switching light as well as HVAC 'ON' and 'OFF', 1760 switching zones for excellent detection quality, square presence detection zone covering 16 m², mechanically scalable.

Technical specifications

Dimensions (L x W x H)	76 x 120 x 120 mm	Technology, sensors	passive infrared, Light sensor
Manufacturer's Warranty	5 years	Mounting height	2,50 – 8,00 m
Settings via	Remote control, DIP switches, Potentiometers, Smart Remote	Mounting height max.	8,00 m
With remote control	No	Optimum mounting height	2,8 m
Version	COM2 - Concealed wiring	Detection angle	360 °
PU1, EAN	4007841000356	Angle of aperture	100 °
Type	Presence detector	Sneak-by guard	Yes
Application, place	Indoors	Capability of masking out individual segments	No
Application, room	one-person office, conference room / meeting room, duty room, recreation room, changing room, function room / ancillary room, kitchenette, Indoors	Electronic scalability	No
Colour	white	Mechanical scalability	Yes
Colour, RAL	9010	Reach, radial	5 x 5 m (25 m ²)
Includes corner wall mount	No	Reach, tangential	7 x 7 m (49 m ²)
Installation site	ceiling	Reach, presence	4 x 4 m (16 m ²)
Installation	Concealed wiring, Ceiling	Switching zones	1760 switching zones
		Functions	Normal / test mode, Semi-/fully automatic, Pushbutton / switch mode, Manual ON / ON-OFF

IR Quattro 8m

COM2 - Concealed wiring
 EAN 4007841 000356
 Article number 000356



Technical specifications

IP-rating	IP20
Ambient temperature	from 0 up to 40 °C
Material	Plastic
Mains power supply	230 V / 50 – 60 Hz
Fluorescent lamps, electronic ballast	1500 W
Fluorescent lamps, uncorrected	1000 VA
Fluorescent lamps, series-corrected	1000 VA
Fluorescent lamps, parallel-corrected	1000 VA
Switching output 1, low-voltage halogen lamps	2000 VA
LED lamps < 2 W	100 W
LED lamps > 2 W < 8 W	300 W
LED lamps > 8 W	600 W
Capacitive load in µF	176 µF

Twilight setting	10 – 1000 lx
Time setting	30 s – 30 Min.
Basic light level function	No
Main light adjustable	No
Twilight setting TEACH	Yes
Constant-lighting control	No
Interconnection	Yes
Type of interconnection	Master/master, Master/slave
Interconnection via	Cable
Interconnection, number	max. 10 sensors
Product category	Presence detector

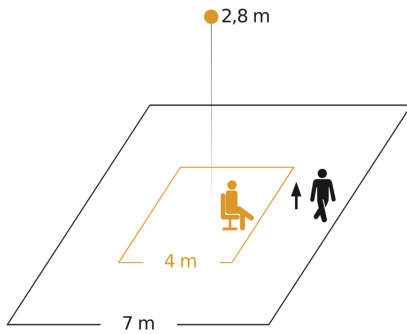
Accessories

EAN 4007841 000363	Surface-mounted adapter Control Pro IP54
EAN 4007841 003036	Control PRO guard cage
EAN 4007841 009151	Remote control Smart Remote
EAN 4007841 559410	Service remote control RC8

IR Quattro 8m

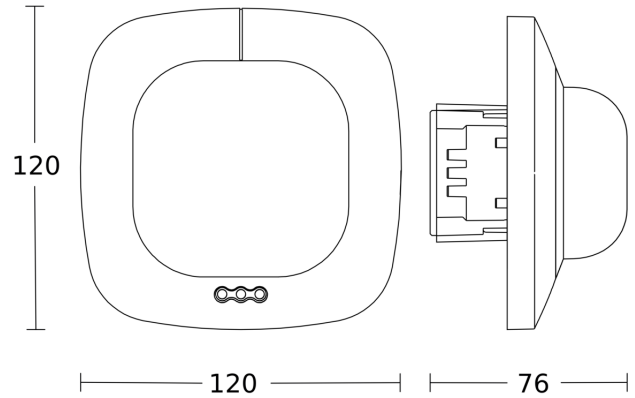
COM2 - Concealed wiring
EAN 4007841 000356
Article number 000356

Detection Zone

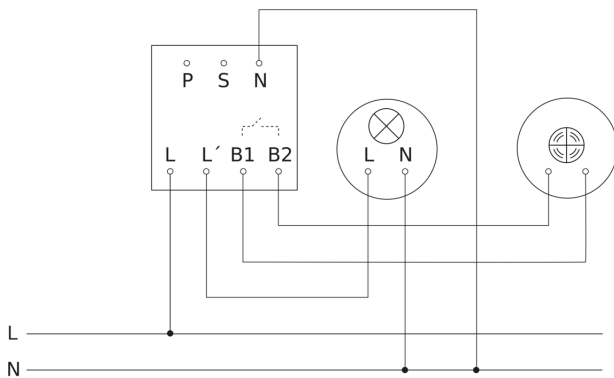


Possible mounting height: 2,50 m - 8,00 m
Orange: presence
Black: tangential

Dimension Drawing



Master circuit diagram



Master/slave interconnection circuit diagram

